



---

**YOUR PARTNER IN  
CONSTRUCTION SOLUTIONS**



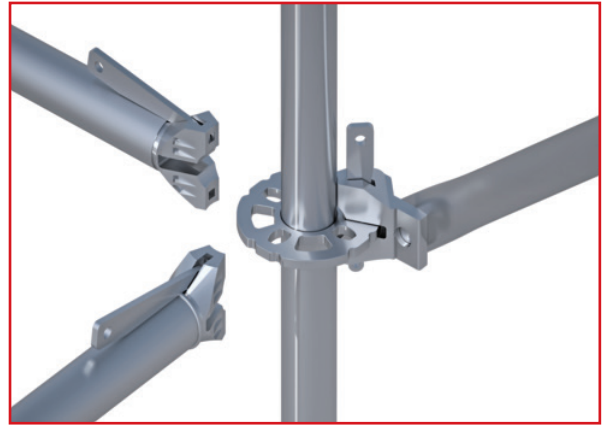
---

## ABOUT DURAPLASTIX

Duraplastix General Trading L.L.C is a UAE-based construction supply partner specializing in scaffolding, formwork, building materials, and site equipment. With a warehouse in Abu Dhabi and a global sourcing network, we support contractors and developers with reliable materials, competitive pricing, and on-time deliveries.

Prices: On Request

# SCAFFOLDING SYSTEMS



## Ringlock Scaffolding

High-strength galvanized steel, modular design, load capacity up to 60 kN per leg.



## Cuplock Scaffolding

Robust galvanized steel, flexible system widely used for access and shoring.



## Tube & Coupler

48.3mm galvanized steel tubes with couplers for irregular structures.



## Mobile Towers & Stairs

Aluminum alloy towers, platform heights up to 12m indoor / 8m outdoor.



## Accessories

Base jacks, U-heads, planks, guardrails, ladders, braces, and more.

# FORMWORK SOLUTIONS



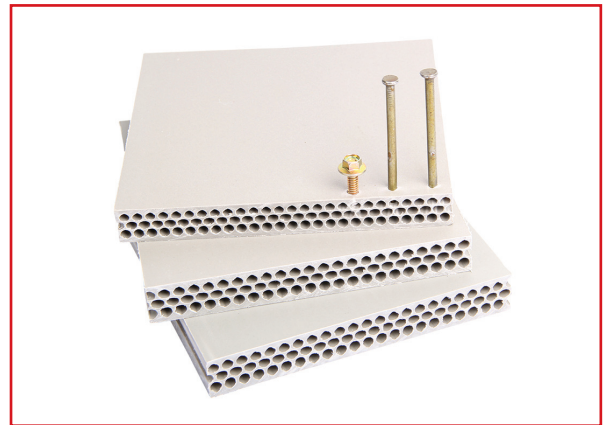
## Film Faced Plywood

Thickness 15/18/21mm, size 1220×2440mm, hardwood/poplar/combi core, phenolic resin film, WBP glue, edges sealed, density 600–700 kg/m<sup>3</sup>, moisture content 8–12%, reusable 8–12 times.



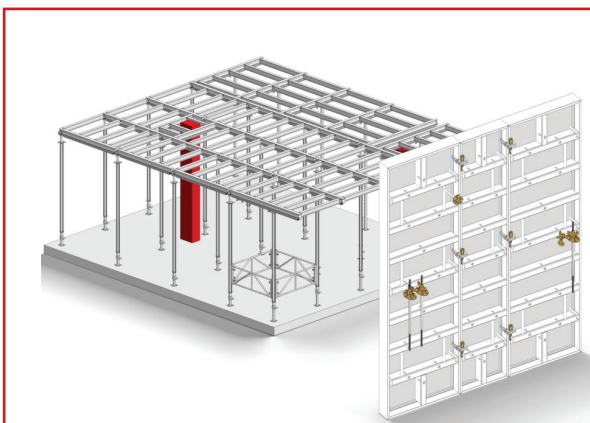
## H20 Timber Beam

Depth 200mm, flange width 80mm, solid wood flanges, length 1.8m–5.9m, load capacity up to 50 kN/bm.



## Hollow Plastic Formwork

Recycled PP/HDPE composite, thickness 12/15/18mm, reusable 50+ times, waterproof and non-stick surface.



## Aluminum Formwork

Alloy 6061-T6, lightweight 23–27 kg/m<sup>2</sup>, cycle time 4–7 days per floor, service life 200+ uses.



## Formwork Accessories

Tie rods, wing nuts, clamps, water stoppers, waler plates.

# SHORING & PROPS



## Adjustable Steel Props

Hot-dip galvanized steel, adjustable 1.6m–5.5m, load capacity 20–40 kN.



## Shoring Frames

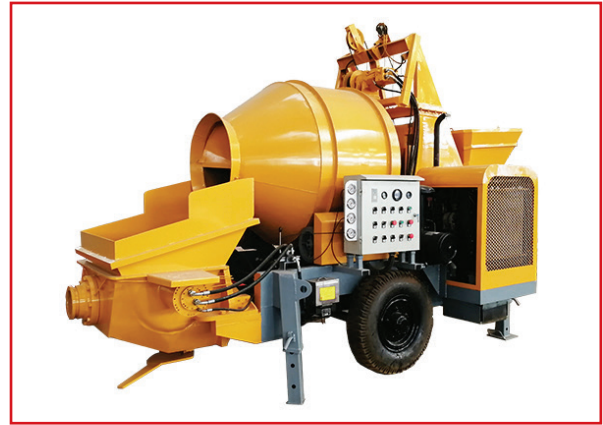
Height 1.2m–2m, width 1.2m–1.8m, heavy-duty frames, load capacity 50–80 kN/frame.



## Tripods & Push–Pull Props

Stabilization supports for walls/columns, adjustable 1.8m–5m, load up to 15 kN.

# CONCRETE HANDLING



## Concrete Mixers

Drum/pan type, capacity 350L–1000L, motor power 3–11 kW.



## Concrete Pumps

Output 30–120 m<sup>3</sup>/h, max pressure 8–12 MPa, piston/broom pump options.



## Concrete Vibrators

Handheld/high-frequency, head size 25–60mm, frequency 12,000–16,000 vpm.



## Buckets & Skips

0.5–2.0 m<sup>3</sup> capacity, heavy-duty welded steel, crane-lift certified.



## Wheelbarrows & Tools

85–120L steel tray wheelbarrows, site-grade tools.



# SAFETY & PPE



## Head & Hand Protection

Safety helmets, gloves, and consumables.



## Footwear & Clothing

Safety boots and reflective vests.



## Fall Protection

Harnesses, lanyards, lifelines for heights.



## Site Safety

Nets, barriers, cones, and temporary lights.

# INFRASTRUCTURE SOLUTIONS



## Street Lighting Poles

Steel poles 6–12m, galvanized and powder-coated, with brackets and accessories.



## Road Barriers & Fencing

HDPE, concrete, and steel options, temporary and permanent.



## Water Tanks

Polyethylene tanks, UV stabilized, 500L–10,000L.



## Drainage Pipes & Fittings

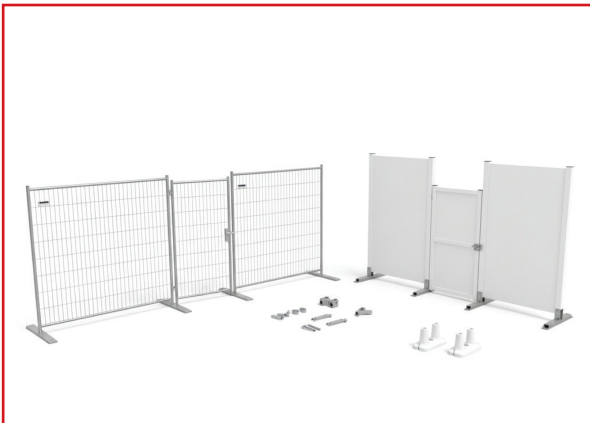
PVC/HDPE pipes, diameters 50–600mm.

# SITE FACILITIES



## Portable Cabins

3×6m or 3×9m sandwich panel cabins, offices, toilets, and accommodation.



## Temporary Fencing & Hoarding

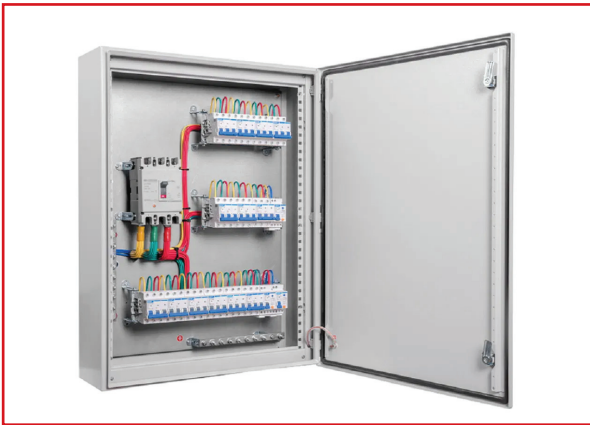
Panels 2×3.5m, galvanized steel mesh or GI sheet options.



## Worker Shelters

Steel frame shelters with GI/polycarbonate roofing, customizable sizes.

# TEMPORARY SITE UTILITIES



## Power Distribution Boards

Weatherproof, IP65 rated, multiple socket configurations for site use.



## Cables & Extension Reels

Heavy-duty site-grade cables, 25–100m lengths, overload protection.



## Site Lighting Towers

Mobile towers with diesel or solar power, mast height 6–9m, LED floodlights.



## Portable Toilets

Chemical and flushing types, easy transport and maintenance.

# CONSTRUCTION CHEMICALS



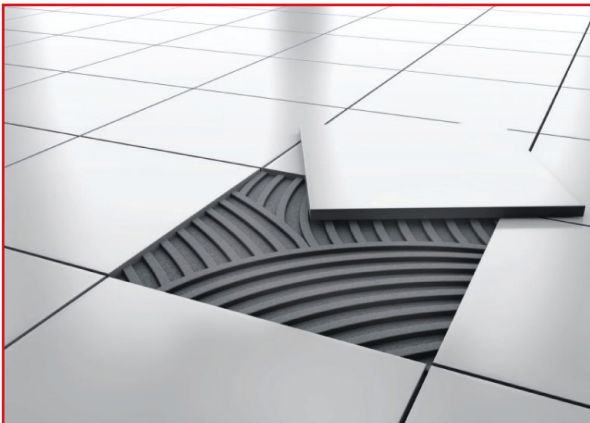
## Concrete Admixtures

Plasticizers, superplasticizers, accelerators, and retarders for concrete performance.



## Waterproofing Membranes

Bituminous, PVC, and HDPE rolls, liquid-applied coatings for roofs and basements.



## Tile Adhesives & Grouts

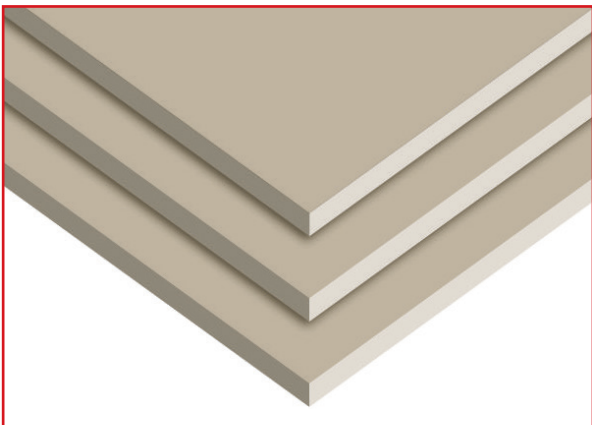
Polymer-modified adhesives, cementitious and epoxy grouts.



## Sealants

Silicone, polyurethane, and acrylic sealants for construction joints.

# BUILDING FINISHING MATERIALS



## Gypsum Boards

Standard, moisture-resistant, and fire-rated, sizes 1200×2400mm, thickness 12.5–15mm.



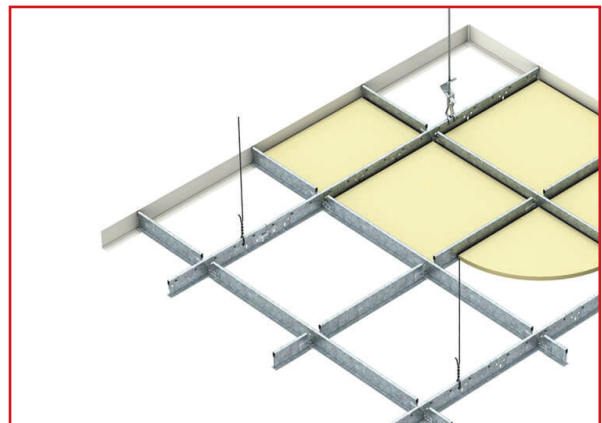
## Fiber Cement Boards

Exterior grade, sizes 1200×2400mm, thickness 6–18mm, weather-resistant.



## Ceiling Tiles

Mineral fiber or gypsum tiles, sizes 600×600mm, acoustic and fire-resistant options.



## Suspension Systems

Galvanized steel grid systems compatible with ceiling tiles.

# ECO-FRIENDLY PRODUCTS



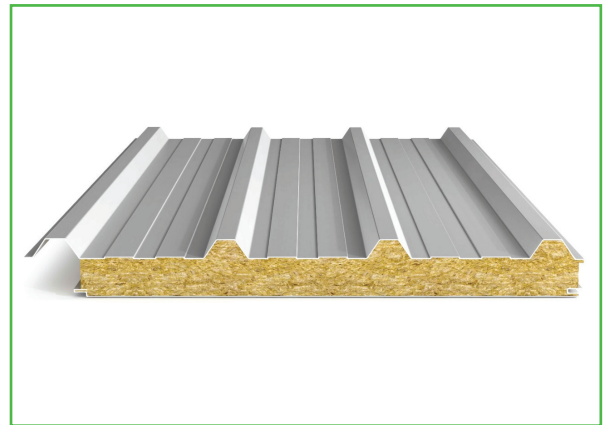
## Recycled Plastic Lumber, Decking, and Formwork

Made from HDPE, durable in 50°C+ weather; compliant with UAE standards.



## Wood-Plastic Composite (WPC) Panels

Suitable for fences, façades, and pergolas; approved by Dubai Municipality



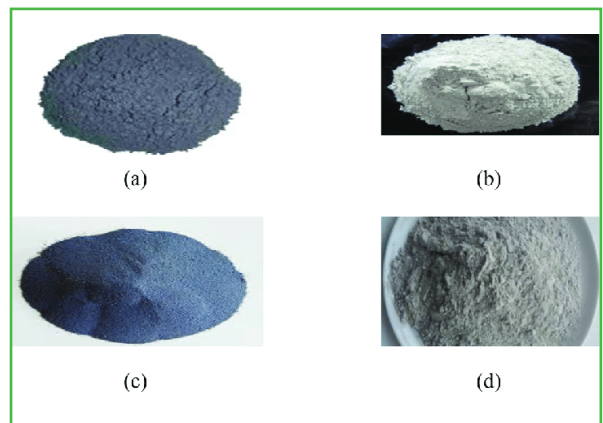
## Eco-Insulated Sandwich Panels

With PU or rockwool cores for site cabins, offering energy efficiency and fire resistance.



## Recycled Aggregate Concrete

Approved under Dubai Green Building Code and Estidama framework.



## Fly Ash / GGBS Concrete Additives

Reduce cement use and CO<sub>2</sub> emissions; accepted under LEED and Estidama standards.



### Solar Street Lights & Floodlights

Commonly used for site hoarding, parking, and remote areas; withstands high heat and sand.



### LED & Motion Sensor Lighting Systems

Energy-efficient and required in new UAE projects for compliance.



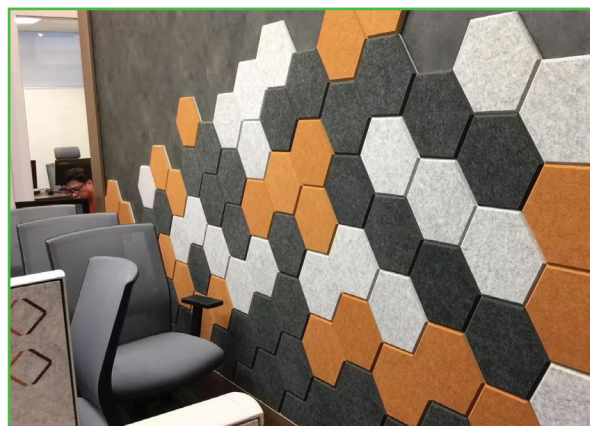
### Permeable Paving Blocks

Allow water infiltration; reduce runoff and align with sustainable landscaping standards.



### Recycled Plastic Site Furniture

Benches and bins for site rest zones; UV-stabilized and long-lasting.



### Sound Barrier Panels with Recycled Material

For highways and project perimeters; compliant with municipality standards.



## Contact Us

Duraplastix General Trading L.L.C – Abu Dhabi, UAE

 +971 54 744 9494

 [sales@duraplastix.com](mailto:sales@duraplastix.com)

 [www.duraplastix.com](http://www.duraplastix.com)