

■ Duraplastix Product Catalog

1. Core Formwork Products

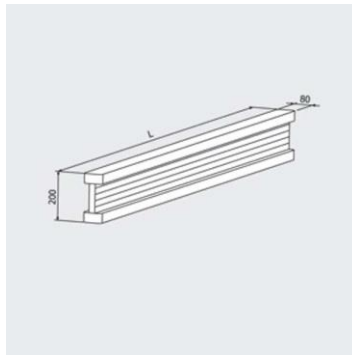
Film Faced Plywood

- Thicknesses: 15mm (utility/protection grade), 18mm (standard), 21mm (heavy-duty)
- Size: 1220 × 2440 mm
- Features: Premium phenolic film coating, water-resistant, smooth concrete finish
- Reuses:
 - 15mm → 2–4 cycles (partitions, protection, packaging)
 - 18mm → 6–8 cycles (general formwork)
 - 21mm → 8–12 cycles (heavy-duty formwork)



H20 Timber Beam

- Cross-section: 80 × 200 mm
- Lengths: 2.9m – 5.9m (current stock: 3.9m)
- Features: High load capacity, multiple reuses, plastic end caps



2. Formwork Accessories

- Steel Props (Adjustable Shoring) – 2.0m–5.5m, up to 40kN



- Tie Rods & Wing Nuts – 15/17mm galvanized



- Water Stoppers – PVC or steel, 15/17mm



- Plastic Spacers & Cones – wheel spacers, cover blocks, cones

MF



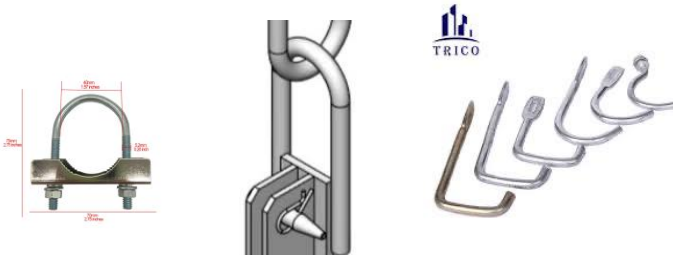
- Formwork Release Agent – oil/water-based, 20L & 200L drums



- Edge Protectors – plastic/metal, 15mm, 18mm, 21mm



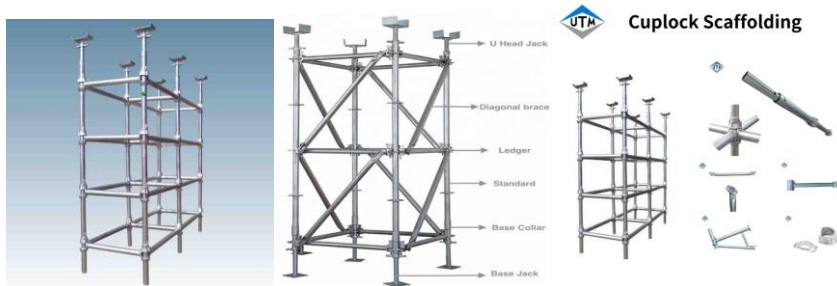
- Lifting Hooks & Clamps – certified safe handling devices



3. Scaffolding Systems

Cuplock Scaffolding

- Cost-effective, stable, fast assembly
- For slabs, beams, high-rise projects
- Load: 40–60kN per leg



Ringlock Scaffolding

- Advanced, versatile, heavy-duty
- For bridges, towers, oil & gas projects
- Load: 60–80kN per leg



H-Frame Scaffolding

- Lightweight, simple system
- For masonry, plastering, MEP works
- Load: 20–30kN per frame



Tube & Coupler Scaffolding

- Traditional, flexible system
- Fits irregular structures, complex jobs
- Requires engineered design



Consumables & Safety Equipment

- Safety helmets (color-coded by role)



- Gloves (cotton, nitrile, cut-resistant)



- Safety shoes/boots (steel-toe, oil-resistant)



- Safety vests (hi-vis reflective)



- Goggles/glasses (impact-resistant, anti-fog)



- Ear protection (plugs, earmuffs)



- Dust masks/respirators (N95, FFP2)



- Coveralls/workwear (standard & fire-retardant)



- Harnesses & lanyards (fall protection)



- Safety cones & barricade tape

